

EDRIC
THEATRE

EDRIC STUDIO 1

Technical Specifications

Updated: 08/06/26

(Floor plans for illustration only. Please contact for more accurate plans)

For any queries or for further information about the facilities please contact edrictheatre@lsbu.ac.uk.

Edric Studio 1 Technical Specification

Please note that all details are subject to change. Inclusion of equipment in this specification does not guarantee its availability or that it is operational. Please confirm any requirements with technical staff at least 14 days prior to an event.

Contact details:

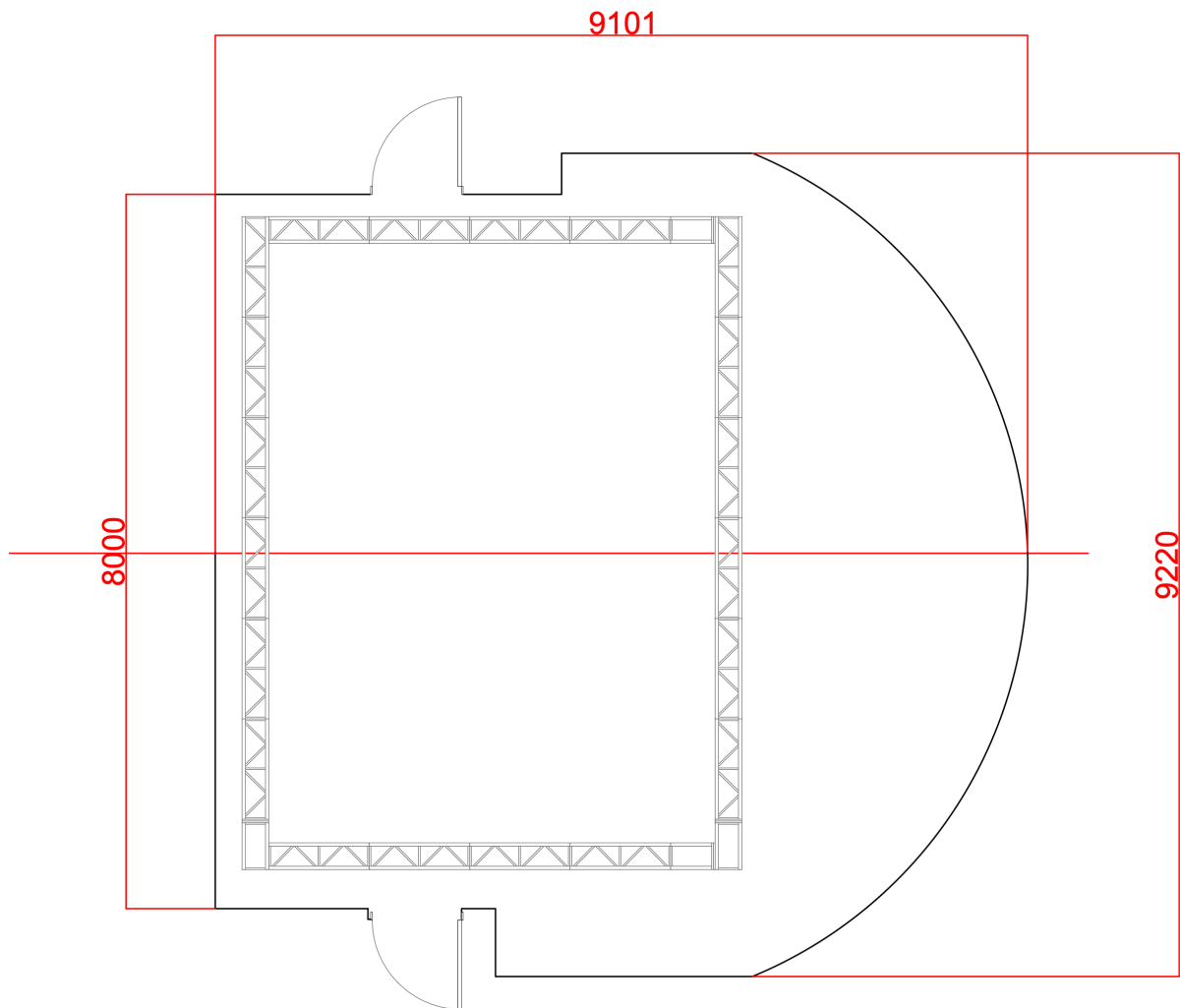
Technical Theatre Manager: Alan Power

Email: edrictheatre@lsbu.ac.uk

Tel: 0207 835 5856

Address: 103 Borough Road, London. SE10AA.





Dimensions: 7600 x 7000mm

Auditorium:

- Up to 45 black stacking chairs
- Steel decking can be added to raise seating areas

There is a small foyer area and Green Room space front of house. Green Room space is equipped with chairs, tables and a 48" plasma screen with speakers for presentation and music playback.

The Green Room is also equipped with a large fridge which is available if you wish to bring in catering.

Stage:

Stage surface is black painted ply.
Harlequin black dance floor is laid as standard.

Lighting:Control & Dimming:

- Jands Stage CL
- 12 Dimmers
- A small selection of LED fixtures

Sound & AV:

- 2 x 2500w Turbosound speakers
- Standalone Projection System

Other Information:Dressing Rooms:

There are 2 dressing rooms, each with chairs and sofa, lit mirrors and dressing table area, toilet, shower and clothing rails.

Steam iron and ironing board available upon request.

Load in / Parking:

Load in is either via stairs or small passenger lift. Dimensions and SWL TBC.

Our load in is neither easy nor convenient. If you're bringing in more than some furniture and a few stands please contact us in advance to discuss.

There is limited parking on Borough Road. Charges apply 8.30pm – 6.00pm Monday to Friday.

There is no on-site parking. Please check your arrangements before arrival. There are some local pay and display car-parks, but free parking is very limited in the area.

Load in is either from Borough Road or from a gated service road. If you are bringing a van please contact us and provide make/model, registration number and driver name. There is no parking so the van will need to be moved following load in.